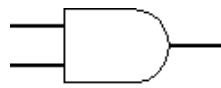


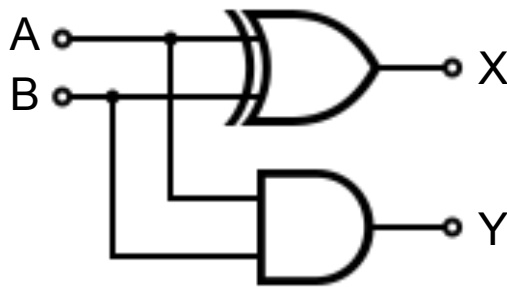
Digital Logic: Circuits



AND



XOR



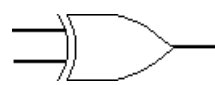
Full Adder



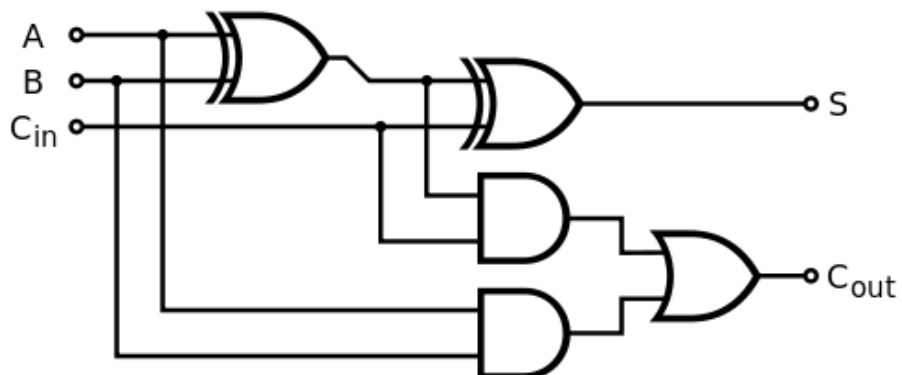
AND



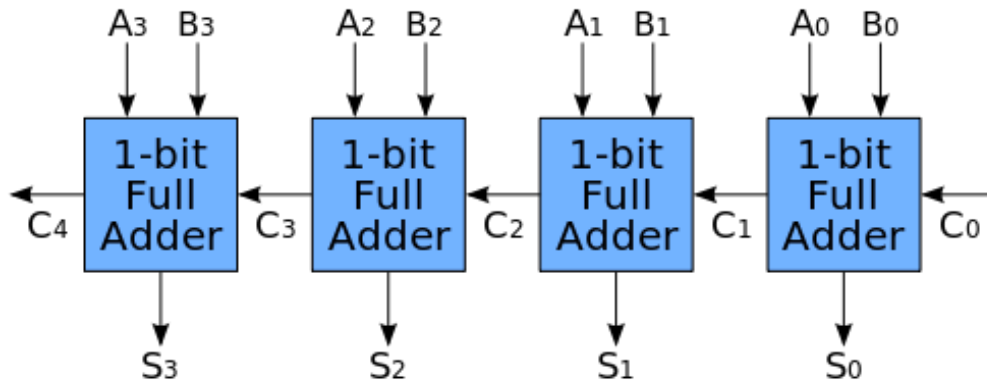
OR



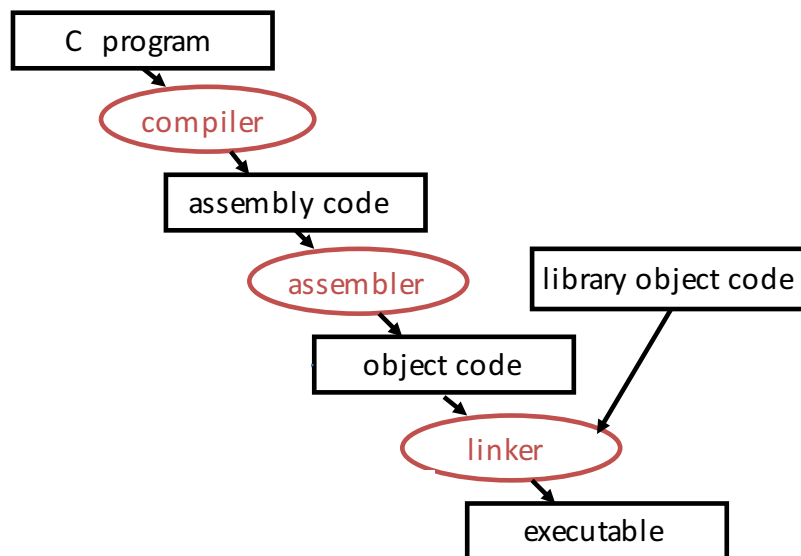
XOR



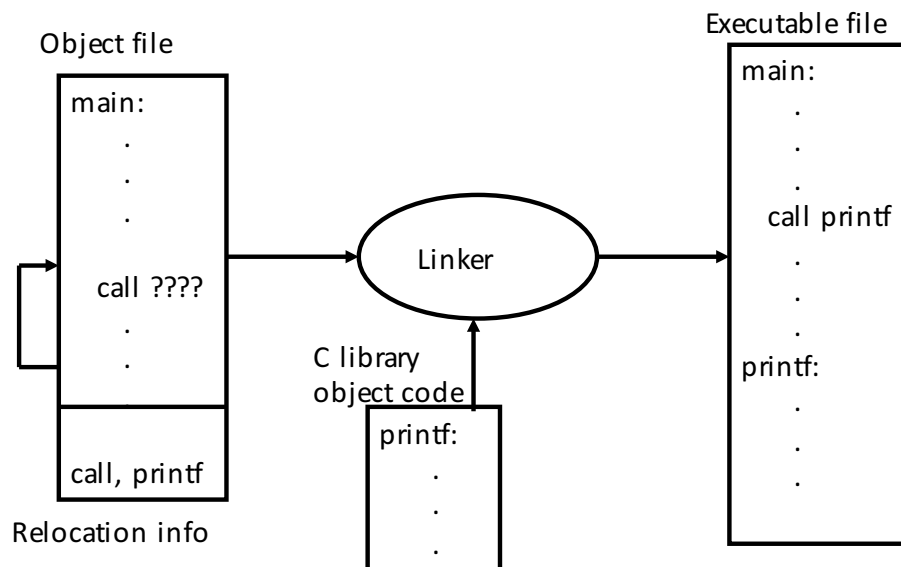
4-Bit Full Adder



Program Generation Workflow



Linking Schematic



Big Ideas in Systems (and CS in general)

- Abstraction
- Representation
- Performance
- Security + Reliability

