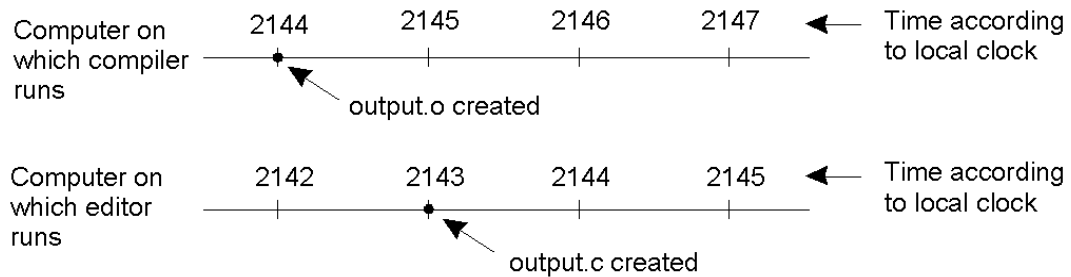


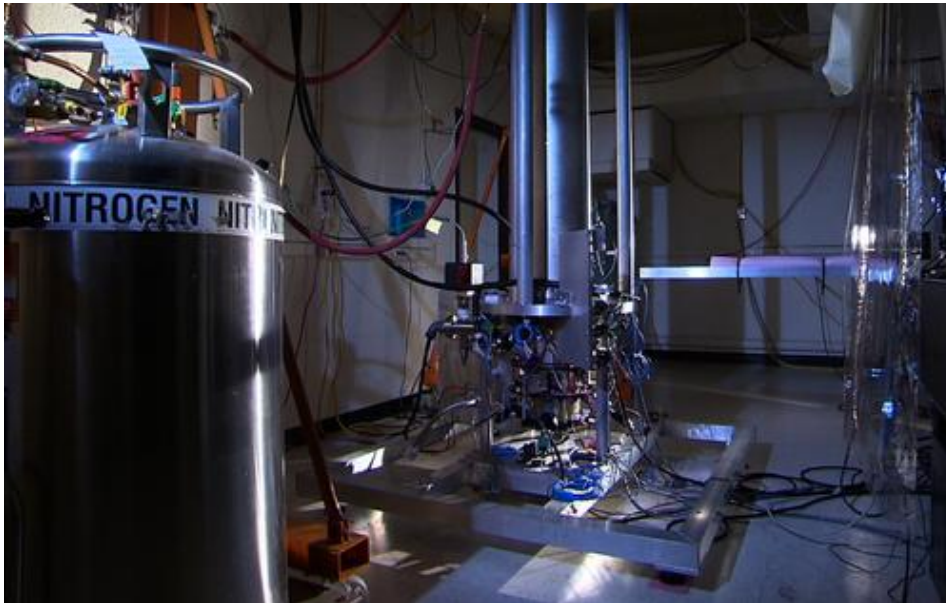
Time and Clocks



Event Ordering in Make

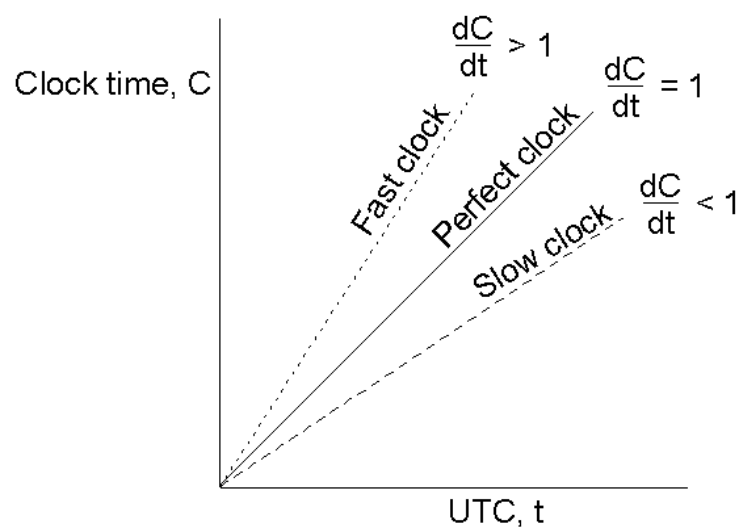


???

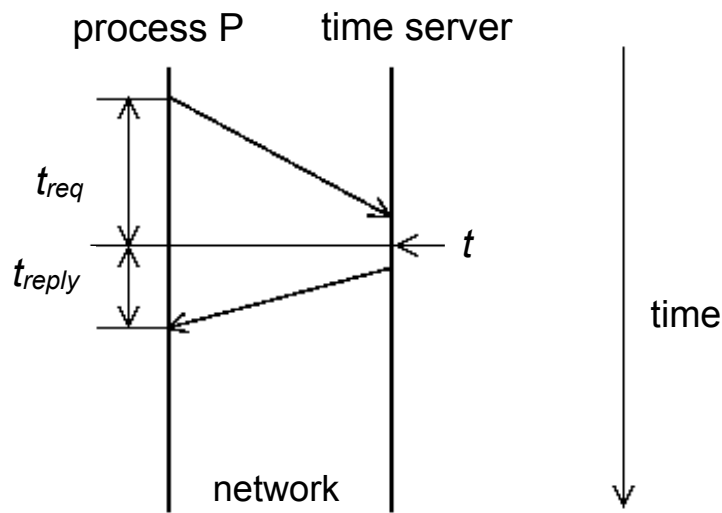


Atomic Clock!

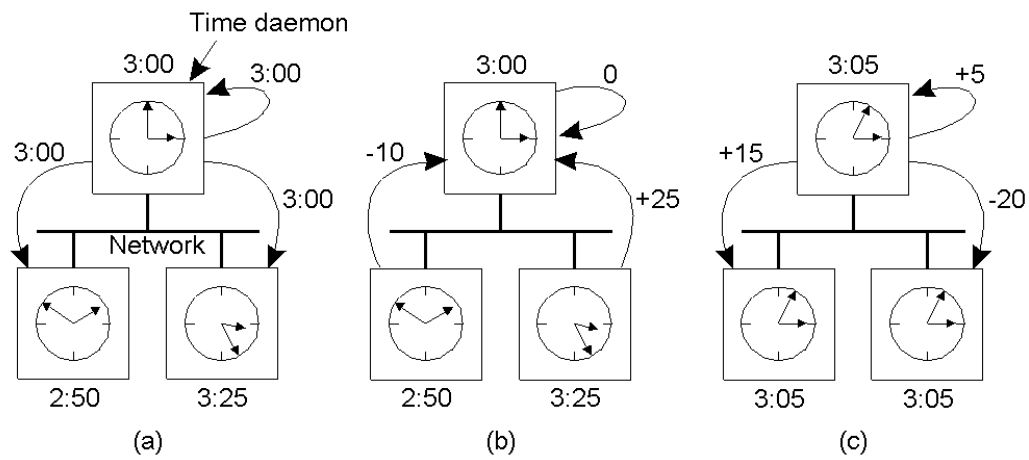
Clock Synchronization



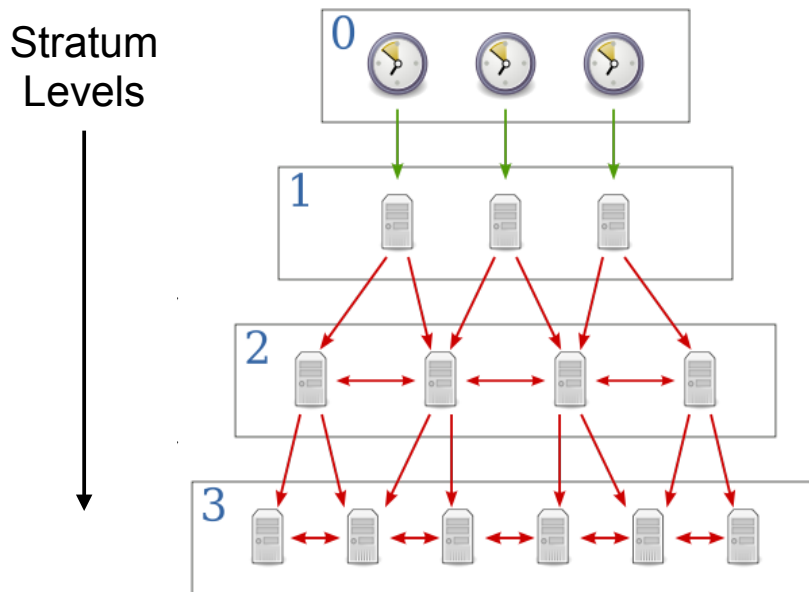
Cristian's Algorithm



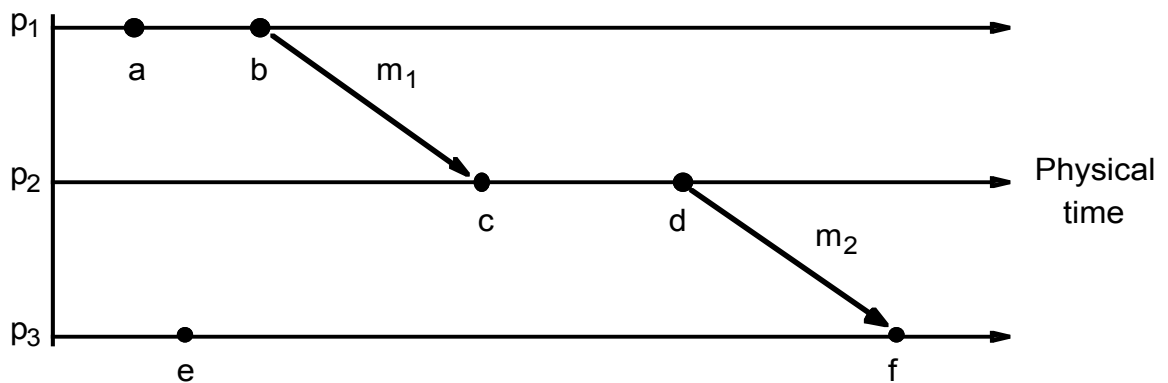
Berkeley Algorithm



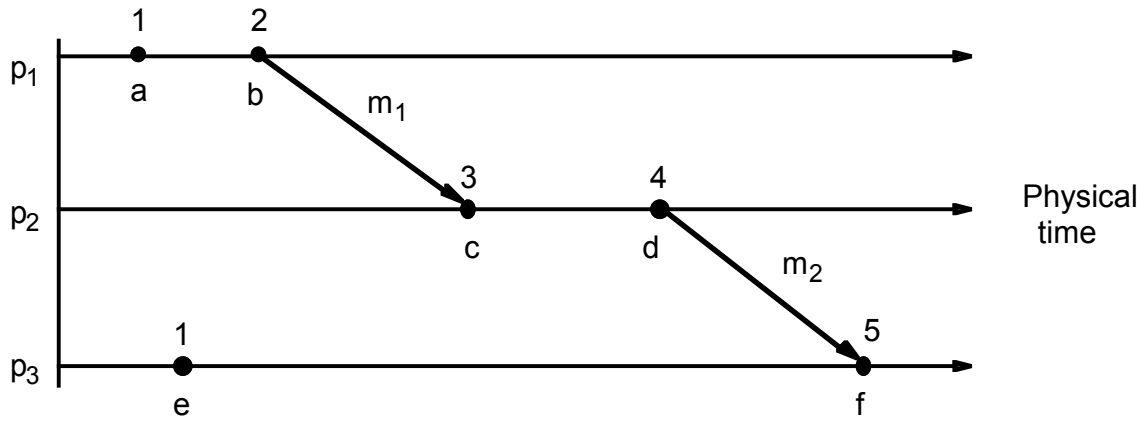
Network Time Protocol (NTP)



Logical Clocks



Lamport Clocks



Vector Clocks

